

OTTO ENVIRONMENTAL SYSTEMS

Urban Furnishing



alaska
container system



alaska

robust and cost-effective

1. EFFICIENT

- Emptying by one person
- Optimum filling level of containers
- Recyclable materials
- Hook systems: simple hook, double hook, and Kinshofer
- Maximum safety for user and waste disposal personnel

2. MODULAR

- Insert height optimized to suit the filling level
- Insert area allows for tailored design
- Optional sound insulation for glass collection
- Design makes fly posting difficult
- Stackable design for reduced transport rates
- Fits well with any outdoor area

3. LONG SERVICE LIFE

- Value for money and robust design thanks to rotorforming technique
- Body with ribs for maximum stability
- Intelligent structure: lightweight yet robust
- Dependable function thanks to tried and tested technology
- Low maintenance
- Long service life by UV resistant polyethylene

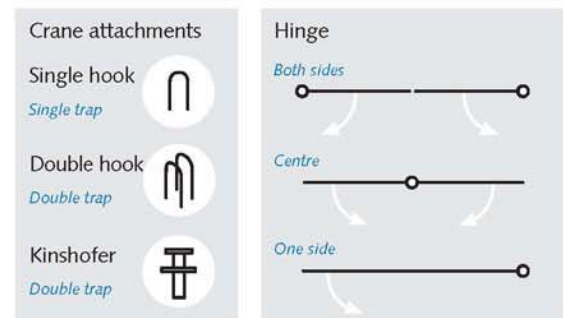
THE ALASKA SYSTEM

These newly developed waste containers are well thought-out quality products with a large range of options that offer you maximum flexibility. Easy handling, a cost-effective design and sustainability were our objectives when conceiving this new concept. The plinth design facilitates the positioning of several containers in a row.

TECHNICAL DATA

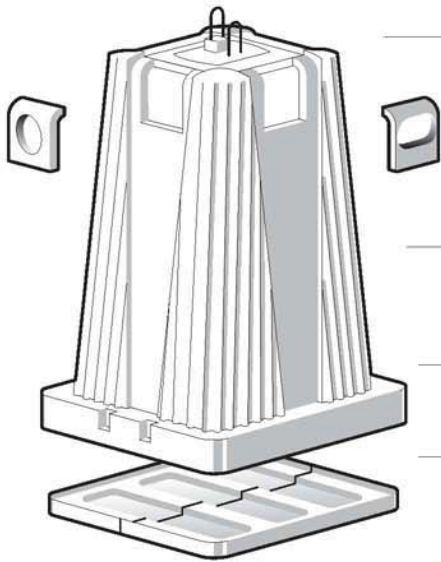
Stacking height	220 mm
Glass opening*	Ø 160 mm
Paper opening*	326 x 144 mm
Package opening*	280 x 250 mm
Standard colours*	white, grey, blue, green, yellow, red
Sound insulation	optional for glass collection containers
Identification	Sticker or mould labelling

* Options upon request



ALASKA

Models & details



Crane attachment for existing systems

Modular insert openings as an option with rubber protection or brush

Lightweight and rugged body

Plinth design for precise positioning of several containers in a row

Opening mechanism with centralised guides. As an option, the bottom traps can be provided with a lock.

ALASKA 1.5

Useful volume / total	1,5 / 1,7 m ³
Height	1.950 mm
Insert height	1.600 mm
Width	1.350 mm
Depth	1.200 mm
Weight	125 kg
Insert openings	all four sides



Basic body in anthracite without special opening inserts



Body with paper opening inserts

ALASKA 2.5

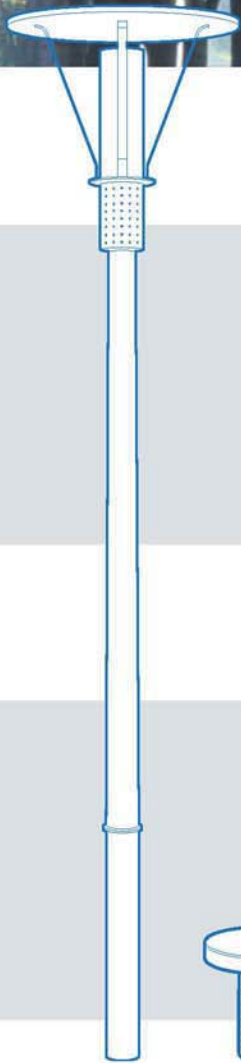
Useful volume / total	2,5 / 2,9 m ³
Height	1.965 mm
Opening height	1.600 mm
Width	2.040 mm
Depth	1.200 mm
Weight	160 kg
Insert openings	two sides



Twin design with paper openings

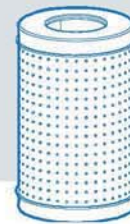
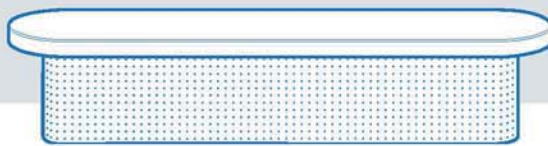
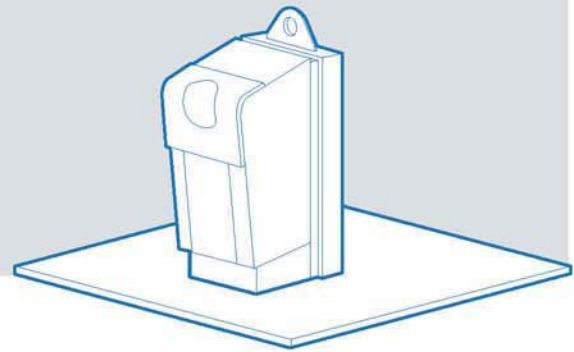


Twin design with glass openings



**INFORMATION &
CONSULTATION**

We are at your disposal -
providing assistance at all planning
stages, from the concept to the
installation and maintenance.



Our competence:

COUNSELLING

Concepts for individual solutions

DEVELOPMENT

Designing of optimum receptacles

PRODUCTION

Manufacturing at our own plants

DISTRIBUTION

Direct sales route to customer

SERVICE

Logistics, container management, maintenance

The product and service package:

OTTO WASTE SYSTEMS

Systems for waste disposal in public areas

OTTO URBAN FURNISHING

Litter bin systems and street furniture

OTTO LIFT SYSTEMS

Collecting vehicles and lift and tipping devices

OTTO CONTAINER SYSTEMS

Approved containers and special containers

OTTO DATA MANAGEMENT

Customer-specific data collection and analysis



CONTRA International
info@contraitl.com ; www.contraitl.com

